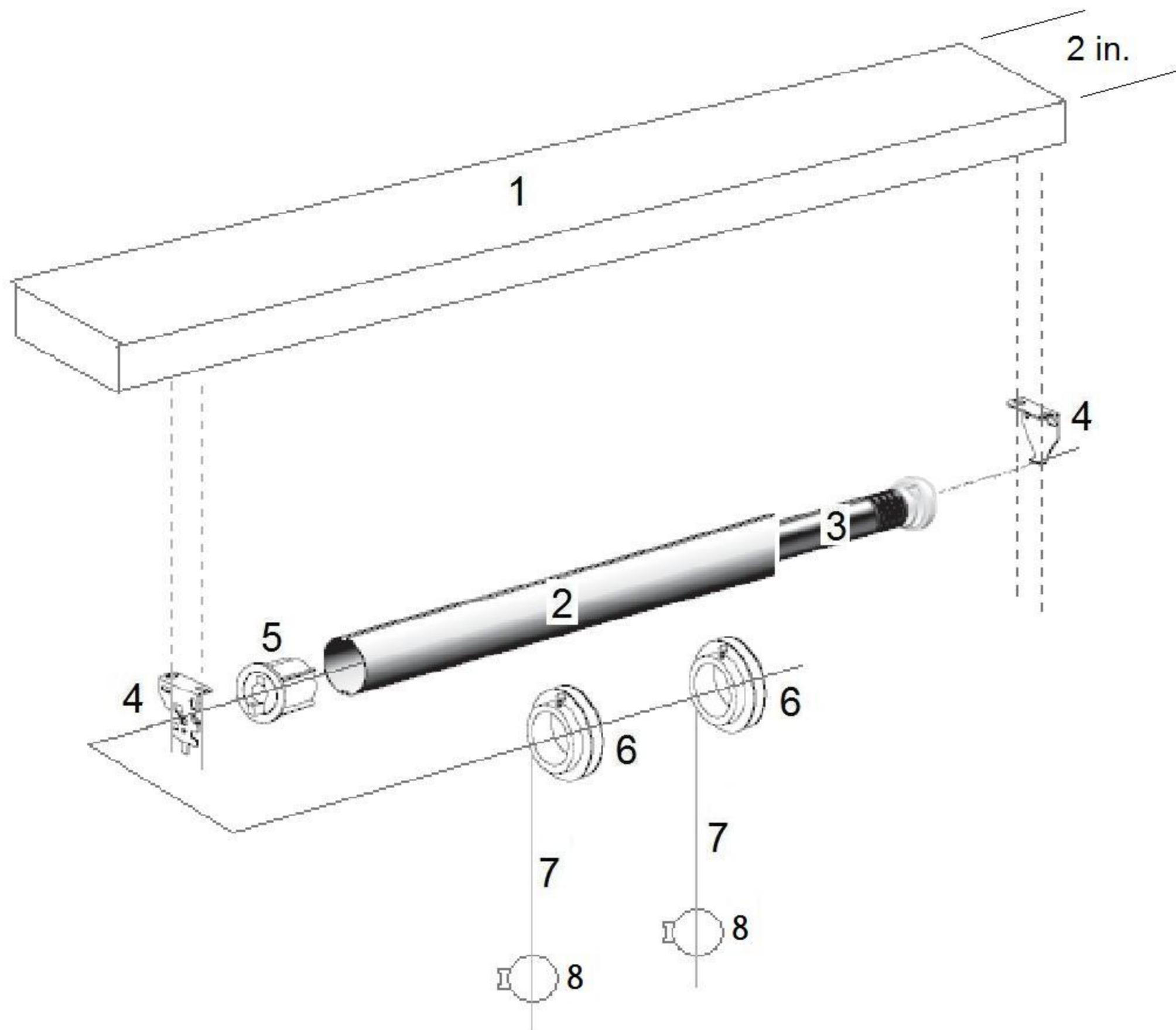


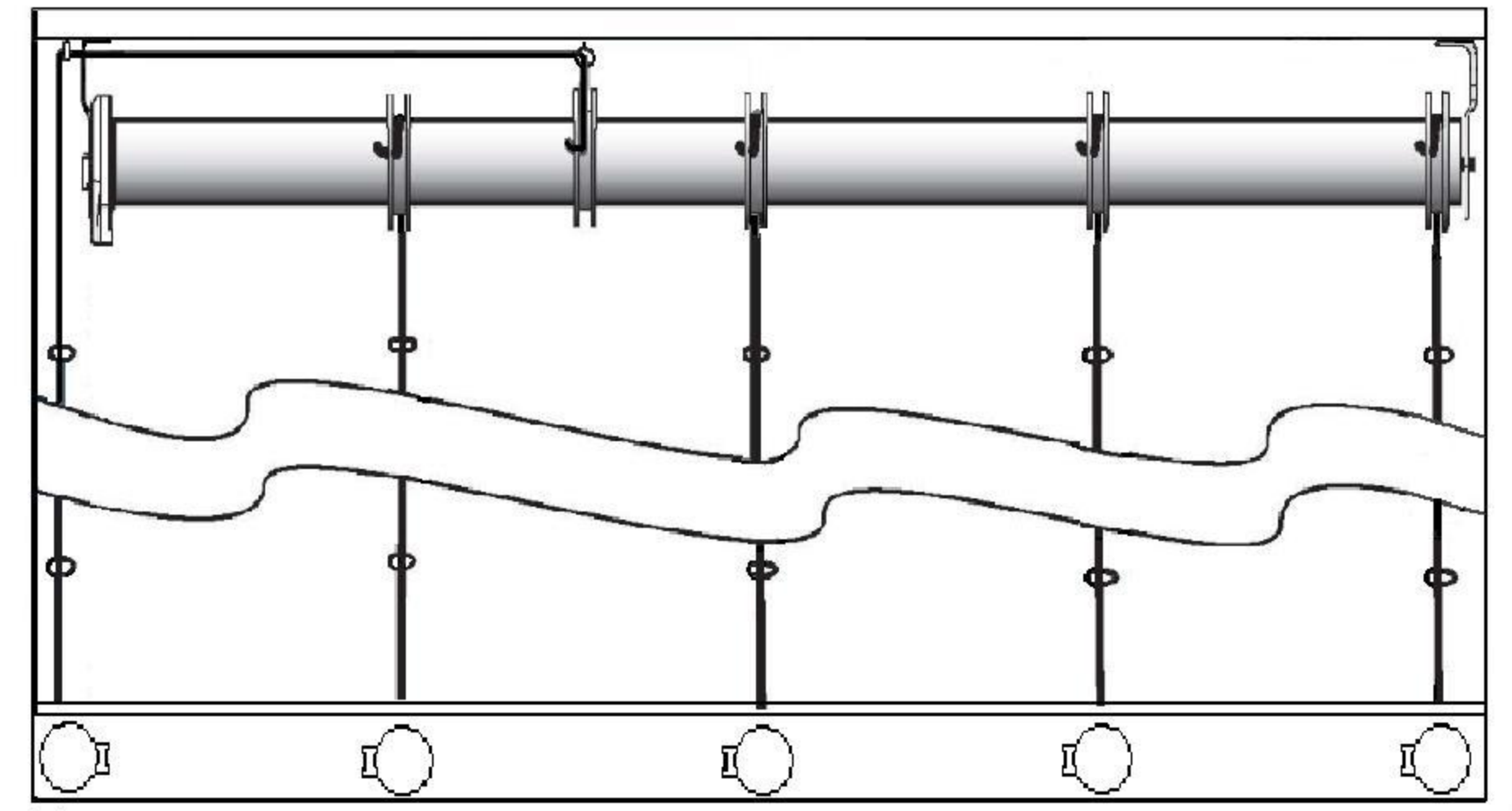
Medium Duty Roll-Up Lift Kit for Shades 17 Lbs or Less

Standard Parts

1. 2" Shade Mounting Board
2. 1-1/2" Roller Tube
3. ST30 Sonesse RTS Lift Motor
4. Tube Mounting Brackets
5. Tube Idler End
6. Cord Take-Up Reel
7. Lift Cord (Not Supplied)
8. Cord Adjuster Orb



Back View of Shade



1" On center Ring Row Or -> 1.5" On Center Ring Row

Lift Cords are routed through screw eye at top

Power Options

24V-DC Din Rail Transformer 24V-DC Plug-In Wall Transformer



Control Options



Sunis Sun Sensor



Chronis Wall Timer



Telis Remotes



DecoFlex Wall Switches



URTSII Integration

RTS Control Family