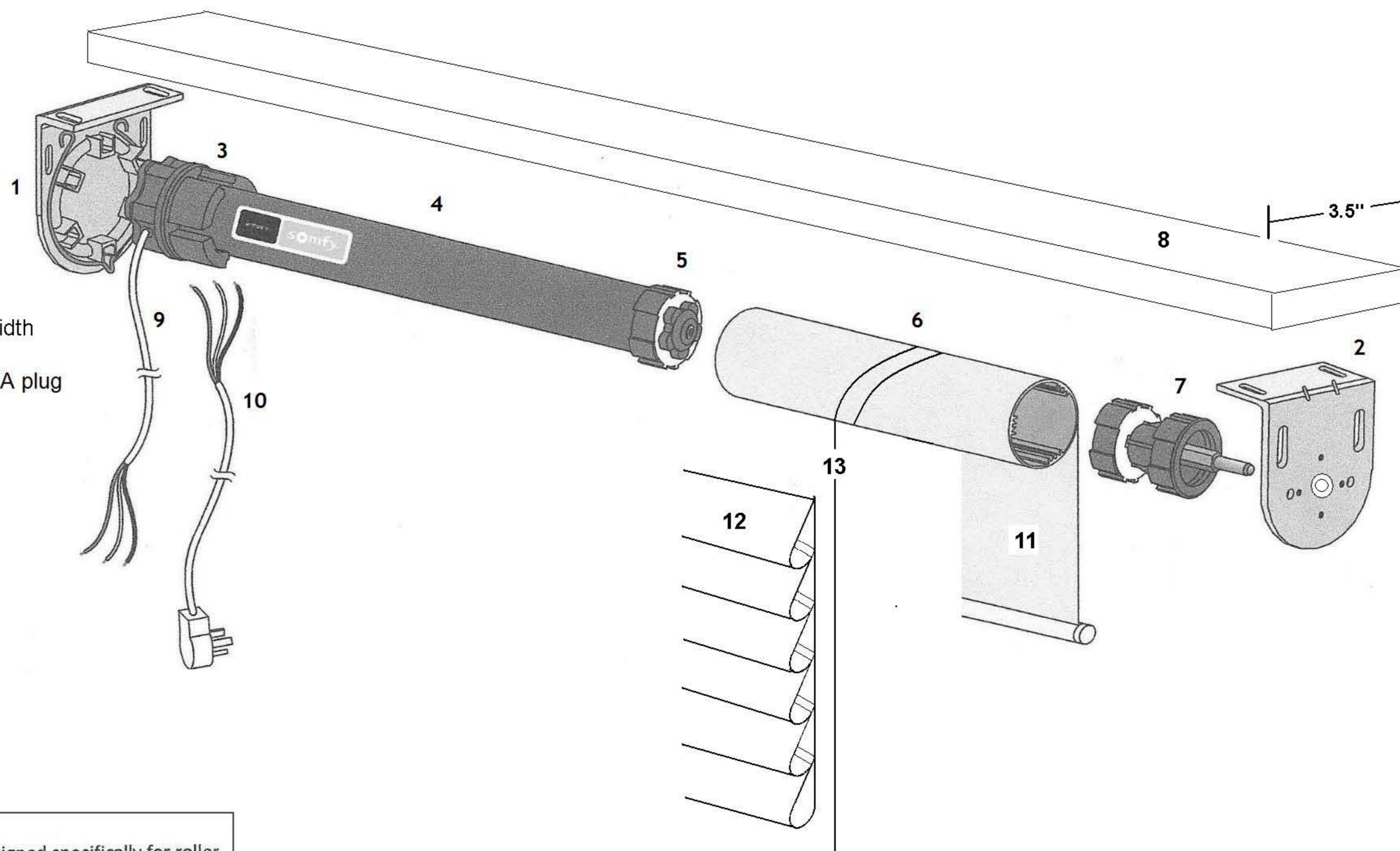


Standard Parts

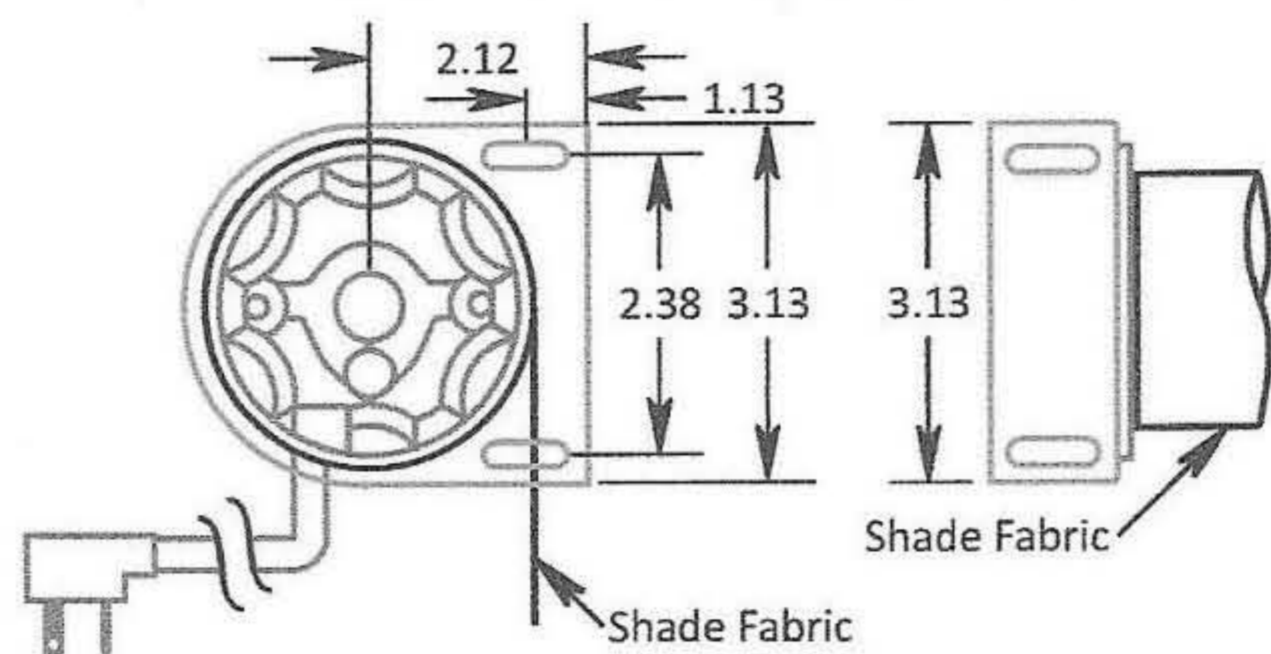
1. Star head motor bracket
2. Idler bracket w/nylon bearing
3. Motor crown
4. Somfy ST50 RTS 110V AC Motor
5. Motor drive
6. 2" Aluminum Roller Tube
7. Idler w/10mm collapsible shaft
8. Wood mounting board 3.5" minimum width
9. 3 Ft power cord
10. Optional 6ft, 10ft, 12ft power cord w/NEMA plug
11. Roller or Screen Shade
12. Roman type shading
13. Lift Cord



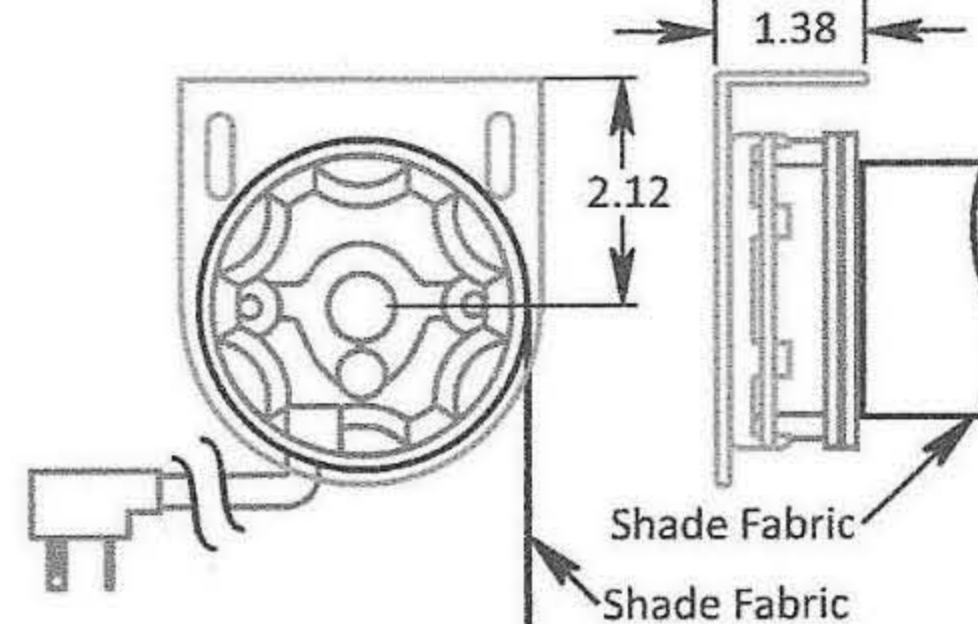
Technical Data:

- 110 Volt AC tubular-type directional motor designed specifically for roller shade systems.
- Motor includes built-in limit and thermal overload switches.
- Star head, 35 in./lb. torque, 30 RPM, 5.6 lbs.

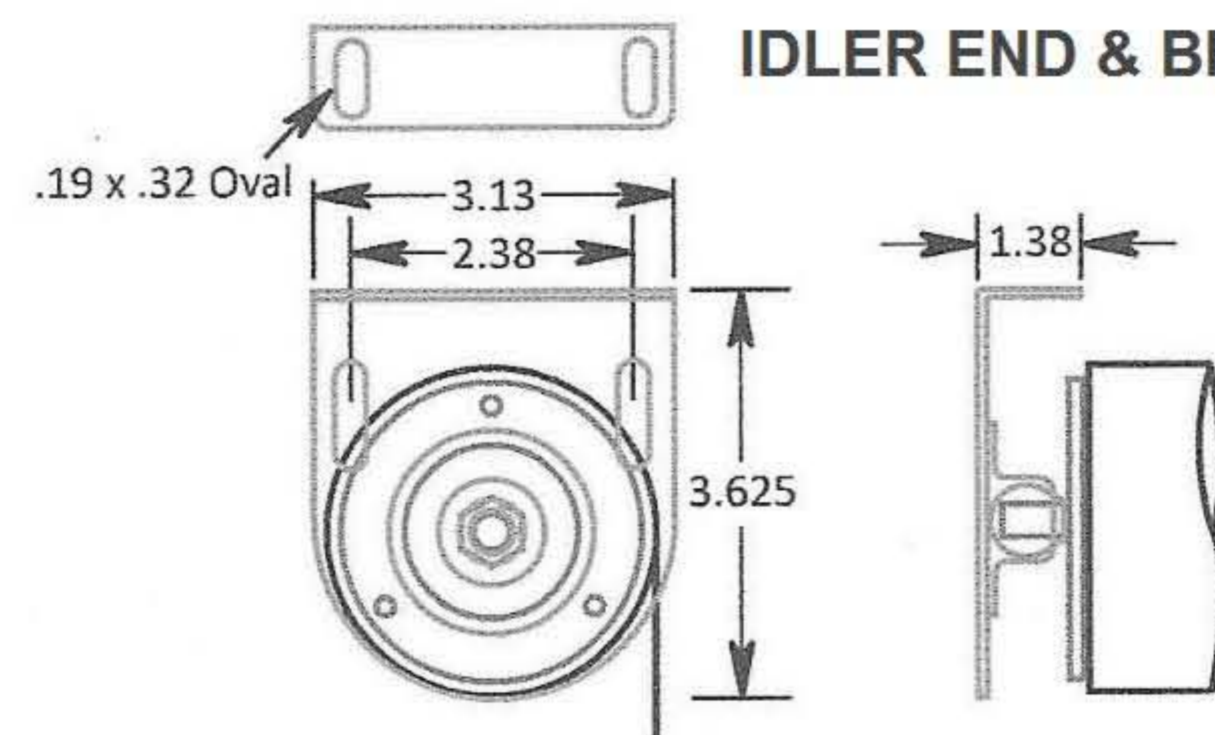
WALL OR INSIDE MOUNT



CEILING MOUNT



IDLER END & BRACKET



Control Options



Sunis Sun Sensor



Chronis Wall Timer



Telis Remotes



DecoFlex Wall Switches



URTSII Integration