

Product Name
Sonesse™ 50
504S2 ILT

Product Part #
Star head 1030053
Round head 1030077

Product Category
Motors



DESCRIPTION

The 504S2 ILT Sonesse™ is an ultra-quiet tubular motor designed for motorizing various products including: roller/solar shades, sheer horizontals, roman/woven shades, pleated/cellular shades, horizontal blinds and projection screens.

FEATURES

The motor offers the following functions:

- Intelligent 2 way communication
- Unique network address for selective control of individual motors
- Communication via industry standard RS-485 network
- Individual or group control with 16 customizable pre-set positions.
- Simple to integrate with third party automation systems via dry contact, IR, Radio Technology Somfy® (RTS), RS-485 or Z-Wave®
- Easily add ILT motors and smart controls to meet changing application requirements.
- Near silent operation at 44 dBa
- 110 V AC motor that can be In-Wall Wired or plug-in

SPECIFICATIONS

Nominal voltage	120V - 60Hz
Power supply tolerances	108 -132V
Thermal time	4 minutes
Number of wires of the cable	3
Wire section	AWG 18
Type of limit switch unit	Electronic
Capacity of the LSU	300 turns
Repeatability	< +2°
System of protection	IP 31
Basic crown for tube diameter	50 x 1.5mm
Phone cable	Flat 4 point
Connector	RJ9 type male plug
Electromagnetic compatibility	CEI 1000 - 4 - 2
Temperature working range	Nominal use: 0° C to + 60° C
Control	RTS, IR, Dry contact, RS485, Z-Wave®
Amperage	1 AMP

* Regulated power supply required

This product specification is variable and subject to change.

Z-Wave® is a registered trademark of Zensys, Inc. and its subsidiaries in the United States and other countries.

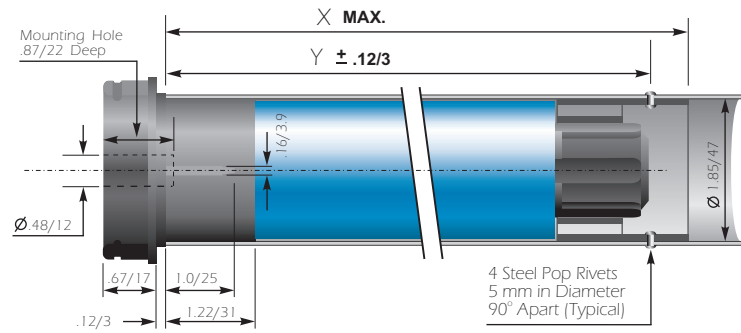
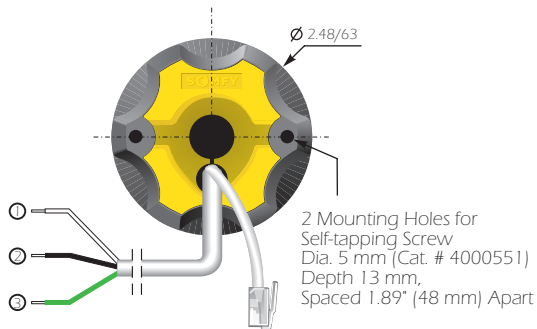
Product Name
 Sonesse™ 50
 504S2 ILT

Product Part #
 Star head 1030053
 Round head 1030077

Product Category
 Motors

DIMENSIONS

Sonesse 50 ILT Starhead

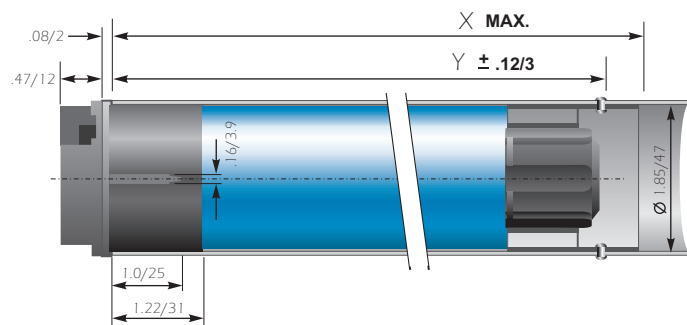
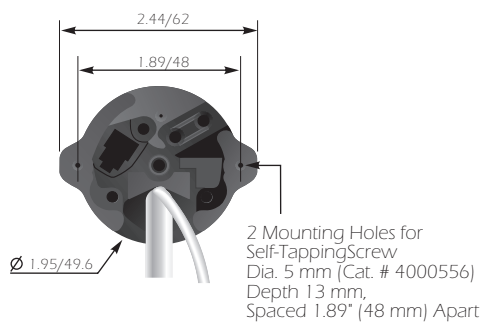


NOTE: Both cables can be removed from motor for servicing.

Sonesse 50 ILT Starhead

MOTOR TYPE	X in. / mm	Y in. / mm
504S2 ILT	30.9/783	30.3/770

Sonesse 50 ILT Roundhead



Sonesse 50 ILT Roundhead

MOTOR TYPE	X in. / mm	Y in. / mm
504S2 ILT RH	30.9/783	30.3/770

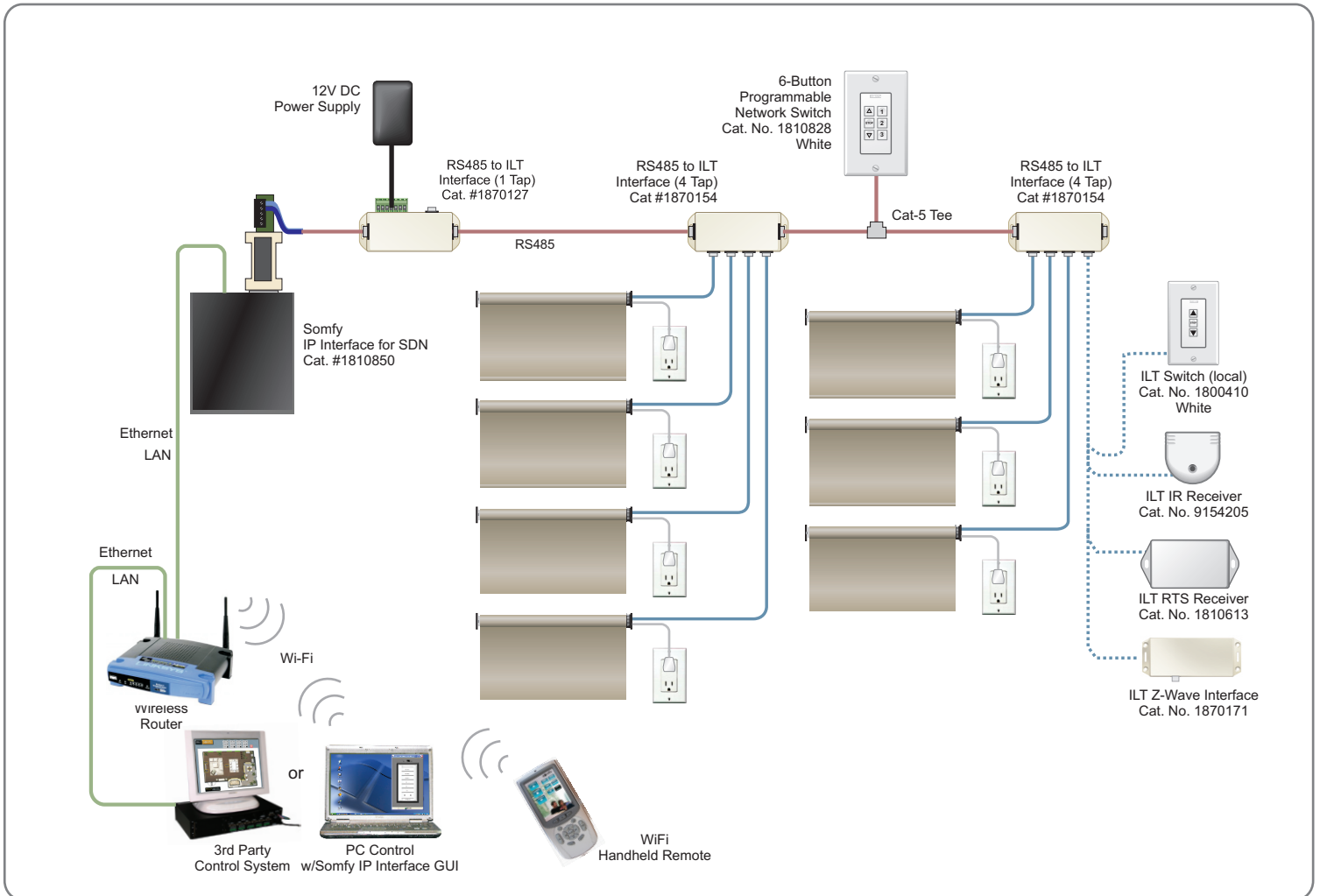
This product specification is variable and subject to change.

Product Name
 Sonesse™ 50
 504S2 ILT

Product Part #
 Star head 1030053
 Round head 1030077

Product Category
 Motors

APPLICATION DIAGRAM EXAMPLE



RELATED PRODUCTS

Product	Part Number	Product	Part Number
IP Interface (optional)	1810815	ILT Switch (white)	6300053
ILT Tap-Single Motor (required)	1870127	ILT Switch (ivory)	6300054
ILT Tap-Four Motor (required)	1870154	ILT RTS Receiver	1810613
Cat 5 Tee	9014573	ILT Z-Wave Interface	1870171
RJ 9 Splitter	9050190	ILT Limit Setting Tool	9050280
3 Button Smart Switch (white)	1810827	ILT Address Reader	9015137
ILT IR Receiver	9154205	12 V DC 1 AMP Transformer	1822111

NOTE: Not all related products are shown in application example
 This product specification is variable and subject to change.

Product Name
Sonesse™ 50
504S2 ILT

Product Part #
Star head 1030053
Round head 1030077

Product Category
Motors

RETURN POLICY

Below please find the Somfy Systems Inc. return policy for AC motors, DC motors, WireFree™ motors and electronic accessories.

Somfy warrants its products to be free from defects in material and workmanship under normal and proper use for a period of five years starting from the date stamped on the motor. Drapery motors, mechanical, electrical and electronic accessories excluding batteries are warranted for five years from date of invoice.

Process

- The customer must contact Somfy Systems, Inc. and obtain a return authorization form. A return authorization number (RA #) will be issued upon completion and submission of the return authorization form.
- The RA # should be requested for either Return for Credit or Return for Repair/Replacement
 - A Return for Credit would be issued when product is ordered or received incorrectly and requires an invoice number. The product should be in its original packaging and not have been used. In this instance, upon analysis a credit may be issued. This type of return authorization number (RA #) is only issued for new unused product. A 15% re-stocking fee will be applied to product ordered incorrectly. Somfy requests this RA # be referenced on the outside of the box. The return authorization form must also accompany the returned goods. Products not listed on the return authorization form will not be accepted and will be returned.
 - A Return for Repair/Replacement would be issued when product is being returned due to a defective nature. Somfy requests this RA number be referenced on the outside of the box. The return authorization form must also accompany the returned goods. Products not listed on the return authorization form will not be accepted and will be returned.
- All returns for Somfy product must be shipped to: Somfy Systems, Inc. 121 Herrod Blvd., Dayton, NJ 08810. All returns for Simu product must be shipped to: Simu U. S. Inc. 6100 Broken Sound Parkway, Northwest Suite 14, Boca Raton, FL 33487. Somfy and Simu will no longer accept product returns at regional offices or through sales representatives.
- It is the customer's responsibility to ensure that all products returned to Somfy are packaged in a manner that prevents damage to the product during shipment. Use of original packaging is recommended. Under no circumstances will Somfy be responsible for product damaged due to poor packaging or shipping methods.
- Somfy will analyze each motor*. Upon analysis, Somfy will repair or replace the defective product. If no problem is found, the original product will be returned to the purchaser.
- The return shipment is prepaid into Somfy by the purchaser, while Somfy pays the shipment back out to the purchaser. Somfy will pay the return shipment at the same level of service that the product is returned.

Any questions or concerns, please contact your local Somfy Regional Sales Manager or Field Service Representative.

*In order for a more thorough analysis please provide a brief description of the symptoms taped directly to the motor.

Somfy warranty information is available at www.somfysystems.com

This product specification is variable and subject to change.

NORTH AMERICAN HEADQUARTERS

Somfy Systems, Inc.
121 Herrod Blvd.
Dayton, NJ 08810
Phone: US: 1-800-22-SOMFY
NJ: (609-395-1300
Fax: (609) 395-1776

FLORIDA

6100 Broken Sound Pkwy. N.W
Suite 14
Boca Raton, FL 33487
Phone: (877) 227-6639
Fax: (561) 995-7502

CALIFORNIA

15291 Barranca Parkway
Irvine, CA 92618
Phone: (877) 727-6639
Fax: (949)727-3775

SOMFY ULC

SOMFY Canada Division
6315 Shawson Drive, Unit#1
Mississauga, Ontario L5T1J2
Phone: CN: 1-800-66-SOMFY
CN: (905) 564-6446
Fax: (905)-564-6448