

**Somfy Connect**  
**#1870210**

**Control SOMFY RTS and SDN Motors using Lutron's:**

**Radio RA2 (RA2)**  
**Homeworks QS (HWQS)**  
**Grafik Eye QS (GEQS)**  
**Quantum**

**The Somfy Connect is configured using a software application which requires a USB to RS485 adapter such as Somfy Part Number 9015260 or equivalent.**

## Contents

1	Somfy Connect - Connector Description.....	3
2	General.....	4
3	Control Options .....	5
4	Hardware Setup .....	6
5	Typical Hardware Setup to Configure Somfy Connect.....	6
6	Typical System Setups.....	7
7	Programming the Somfy Connect to RTS (URTSI).....	9
8	Programming the Somfy Connect for RA2 to SDN.....	13
9	Retrieve or Delete Data .....	15
10	Changing the Default Configuration.....	16
11	Creating Timed, Sunrise, and Sunset Events.....	17
12	RTS Delay.....	19
13	Entering Custom Coordinates .....	20
14	Notes: .....	21

# 1 Somfy Connect - Connector Description



- DC Jack: 2.1 X 5.5 mm. DC input 9 – 24 VDC.
  - Somfy Connect, 100ma
  - Each URTSI attached to 485 network, 25 ma
- DB9, Male: RS232 input from Lutron Main Repeater or NWK integration Device.
- RJ45: RS485. Connects to the SDN or URTSI(s)

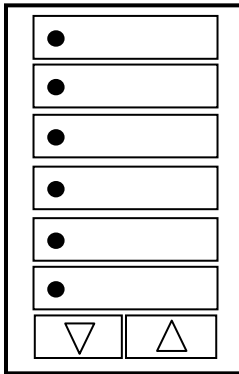
## 2 General

- Please read this entire document prior to starting the programming of the Somfy Connect.
- This document assumes the reader is familiar with the programming of Somfy's RTS (Radio Technology Somfy) & SDN (Somfy Digital Network) Motors and Universal RTS Interface (URTSI).
- The Somfy Connect makes possible the control of Somfy's RTS & SDN motors using Lutron equipment including the iPhone and iPad apps.
- The Somfy Connect "maps" Lutron button presses to URTSI or SDN commands; it connects to the Main Repeater (RA2) or NWK (HWQS, GEQS, and Quantum) via RS232, straight-thru.
- The NWK must be set to Monitor Button Presses (9600 baud).
- There are three types of manual control using the Lutron equipment:
  - **Single:** Each PICO, Keypad, Grafik Eye QS or Table Top push-button press has a specific function such as UP, DOWN, STOP, etc.
  - **Sequence:** With each Lutron button press, commands are sequenced as follows: UP/STOP/DOWN/STOP/UP, etc. The STOP command is skipped if not activated within 60 seconds after an UP or DOWN command.
  - **Group:** Group is a 2-button operation and only works with Keypads, Grafik EYE QS and the Table-Top controls. The user chooses a channel (RTS) or SDN address (e.g. a motor or group of motors), and then selects RAISE or LOWER. A stop command is sent when the same or opposite direction command is pressed within 50 seconds of the first press.
- The Somfy Connect can store up to a total of 300 button presses ("maps"). How the 300 maps are allocated to the three manual control options is determined during installation and programming.
- The Somfy Connect can save 98 timed events, 99 Sunrise events and 99 Sunset events (**Single Functions Only**).
- When using **HomeWorks QS**:
  - The NWK interface must be included into the system using the HWQS Designer Software
  - The Ethernet port cannot be used as this (as of this writing) disables the serial port.

### 3 Control Options

- Pico, Keypad, Table Top or Grafik Eye QS **Single** or **Sequence** Control: Any push-button can be assigned a **Single** function or act as a **Sequence** control.
- Keypad, Table Top or Grafik Eye QS **Group** Control: Group Control is defined as a 2-button operation. The user must pick the RTS channel or SDN Group/Motor Address button (Large Buttons) and then Lower/Raise.

Keypad



Grafik Eye QS

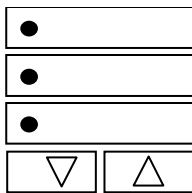
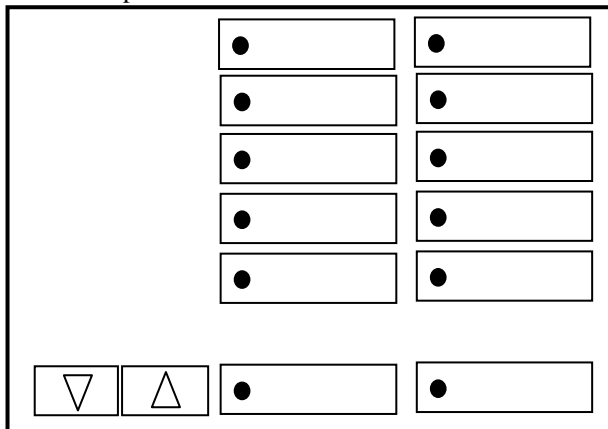
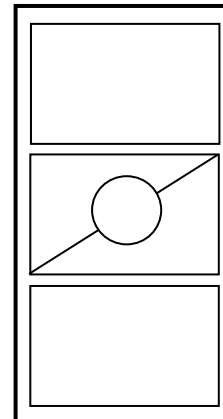


Table-Top



PICO



For Keypad, Grafik-Eye QS, Table-Top and PICO control:

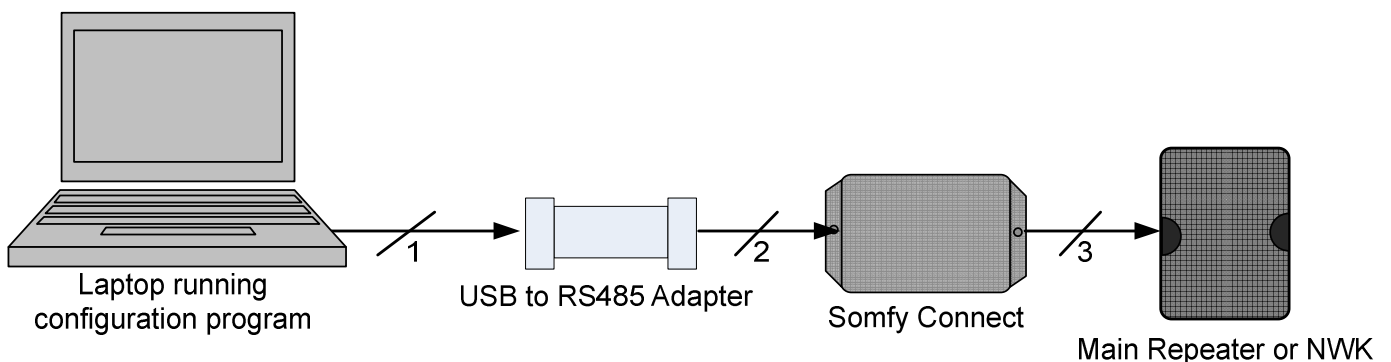
- Single Control: Any push-button can be used and assigned a command.
- Sequence Control: Any push-button can be used.
- Group Function: Large buttons select RTS Channels or SDN Single Motor or Group Addresses. User must select a large button and then Lower/Raise. **PICO cannot be used as a Group Function Control.**

- Where supported by the Lutron equipment, both on-press and on-release actions of the Pico's, Keypads, Table-Tops and Grafik Eye QS can be assigned functions.

## 4 Hardware Setup

- In addition to the Somfy Connect you will need:
  - A USB to RS485 adapter such as the B & B part: 485USBTB-2W-LW or equivalent.
  - A standard Cat 5 cable.
  - A straight-thru RS232 cable which must have one male DB9 and one female DB9 (included).
  - An URTSI for RTS installations.
- The Somfy Connect includes an RJ45 connector that is used to connect it to the URTSI or SDN Network. It also includes a DB9 connector used to connect to the Lutron Main Repeater or NWK.
- In RTS applications, the URTSI can provide power to the Somfy Connect or vice versa. There is a 2.5 mm DC power input jack on the Somfy Connect. Power is delivered over the Cat 5 cable. The power supply shipped with the URTSI can be used and can power the Somfy Connect and up to 4 URTSI's.
- In SDN applications, the Somfy Connect can get power from the SDN or from a power supply connected directly to the Somfy Connect.
- The Main Repeater or NWK must be configured for 9600 baud.

## 5 Typical Hardware Setup to Configure Somfy Connect.



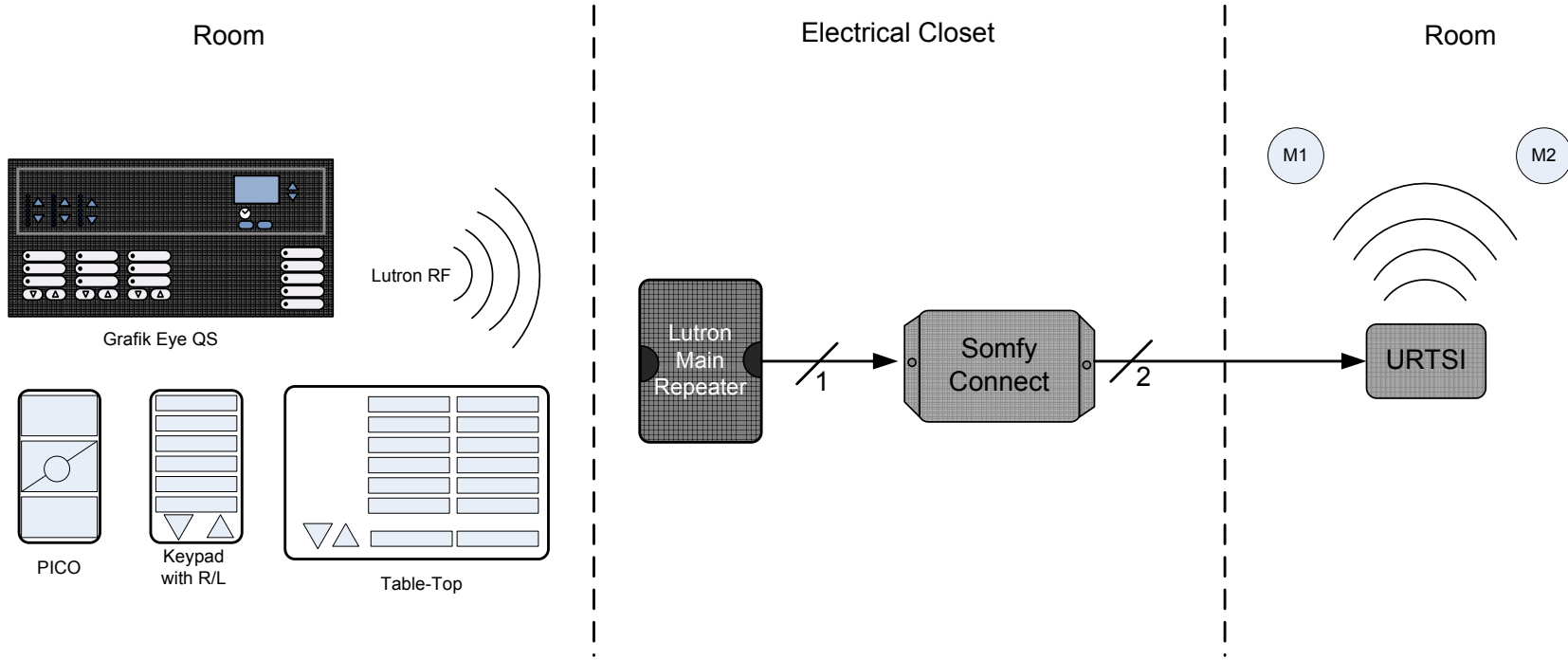
### Notes:

- 1 – USB cable to adapter – included with adapter
- 2 – Cat 5 (RS485 half-duplex)
- 3 – RS232 straight thru – included with Somfy Connect

- Main Repeater/NWK and Somfy Connect must be powered to configure the system

## 6 Typical System Setups

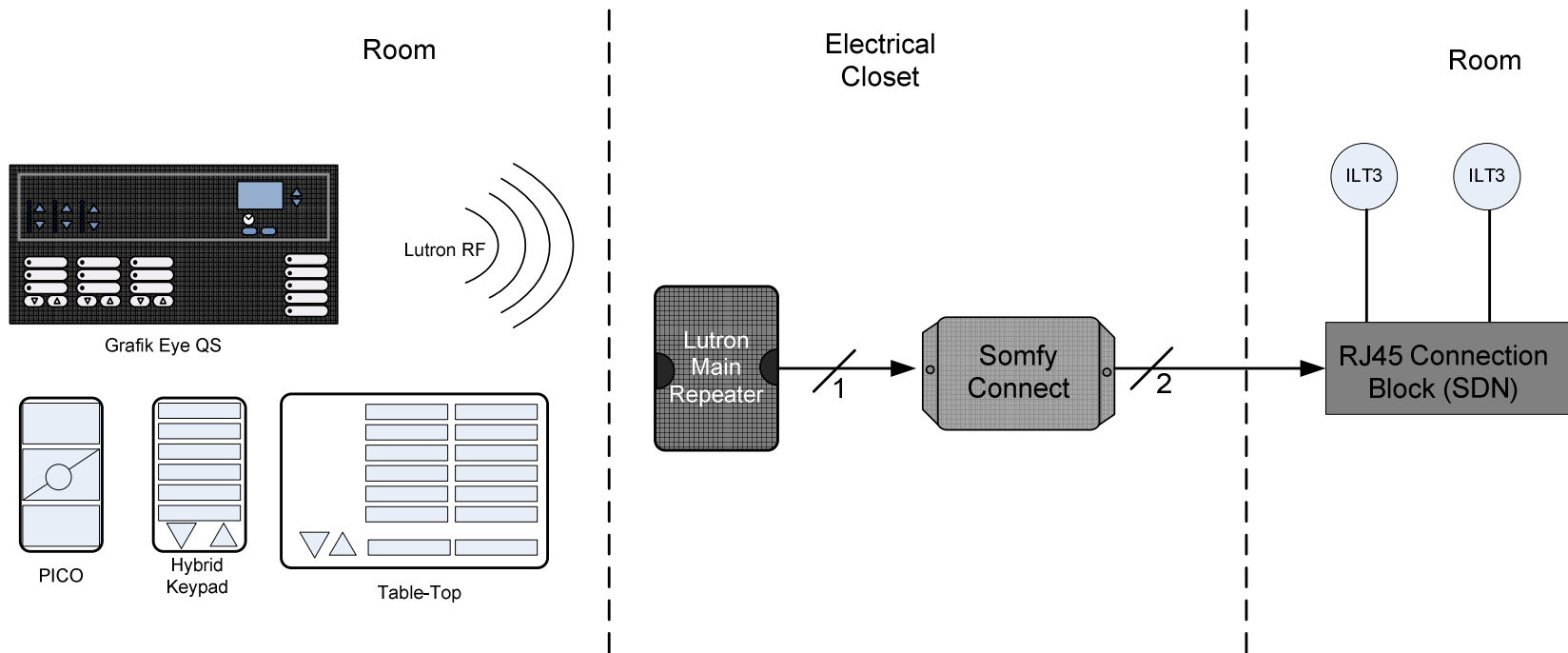
### Somfy Connect – Radio RA2 to RTS Typical Hardware Setup



#### Notes:

- Main Repeater requires a 115 VAC outlet.
- Power for Somfy Connect:
  - Option 1> Plug-in DC power to Somfy Connect. Power is carried over CAT5 to URTSI
  - Option 2> Connect power to URTSI. Power is carried over CAT 5 to Somfy Connect.
- The Main Repeater and Somfy Connect must be mounted within 50' of each other.
- Low Voltage connection from:
  - 1 > Main Repeater to Somfy Connect: standard straight-thru RS232 cable
  - 2 > Somfy Connect to URTSI: Cat 5
- Somfy Connect includes configuration software used to map RA2 button presses to URTSI functions (e.g. UP/STOP/DOWN)
- M1 & M2 are RTS motors, they require 115 VAC via a standard outlet or can be hard-wired.

## Somfy Connect – Radio RA2 to Somfy Digital Network (SDN) Typical Hardware Setup



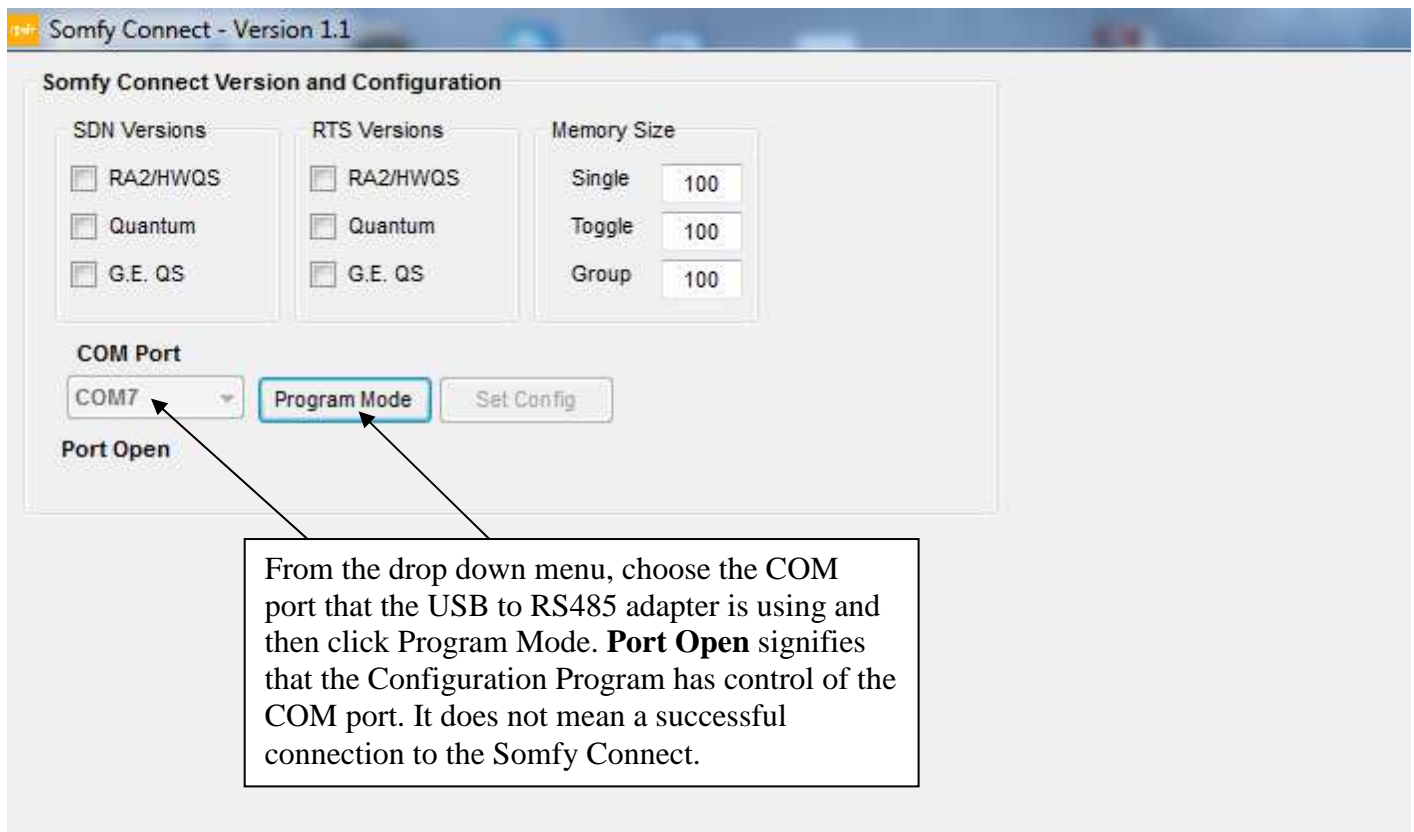
**Notes:**

- Main Repeater requires a 115 VAC outlet.
- Power for Somfy Connect:
  - Option 1> From SDN Network
  - Option 2> Plug in power supply to Somfy Connect
- The Repeater and Somfy Connect must be mounted within 50' of each other.
- Low Voltage connection from:
  - 1 > Main Repeater to Somfy Connect: standard RS232 straight-thru cable
  - 2 > Somfy Connect to SDN (RJ45 Connection Block): Cat 5
- Somfy Connect includes configuration software used to map RA2 button presses to SDN functions (e.g. UP/STOP/DOWN)
- ILT3 motors require 115 VAC via a standard outlet or can be hard-wired. Each has a data cable that plugs into the SDN.



## 7 Programming the Somfy Connect to RTS (URTSI).

- The first step is to load the drivers for the USB to RS485 adapter. When complete, verify that the adapter is listed under COM ports in Device Manager. Record the COM port that the adapter populates.
- Install the Somfy Connect Configuration software and start it. Uninstall any previous versions.
- The first screen will be:



- If you have a good communication link, the screen on the following page (RA2/HWQS to RTS) will appear. If not, you will get an error message stating there is no response – you must successfully link to the Somfy Connect before you can move on.

**Somfy Connect Version and Configuration**

SDN Versions	RTS Versions	Memory Size
<input type="checkbox"/> RA2/HWQS	<input checked="" type="checkbox"/> RA2/HWQS	Single 100
<input type="checkbox"/> Quantum	<input type="checkbox"/> Quantum	Toggle 100
<input type="checkbox"/> G.E. QS	<input type="checkbox"/> G.E. QS	Group 100

COM Port: COM7 [Run Mode] [Set Config]

Program Mode

---

**Mapping Data**

Map #  [Listen]

Input

URTSI Command

Save Single	Get Single	Clear Single	Clear Screen
Save Sequence	Get Sequence	Clear Sequence	Get Time/Date
Save Group	Get Group	Clear Group	Set Time/Date
Print	RTS Delay	Erase All Data	

Version # 2, RTS Delay = 1 Second(s)

---

**Scheduled Events**

Event #	Map #	Hour	Minute	Mon-Fri	Sat-Sun
<input type="text" value="1"/>	<input type="text" value="1"/>	<input type="text" value="12"/>	<input type="text" value="00"/>	<input checked="" type="checkbox"/>	<input checked="" type="checkbox"/>

Save Timed Event	Save Sunrise Event	Save Sunset Event	Save Coordinates
Get Timed Events	Get Sunrise Events	Get Sunset Events	Get Coordinates
Erase Timed Events	Erase Sunrise Events	Erase Sunset Events	

Time Zone Deg Lat Min Lat Deg Long Min Long City

These Frames indicates how the Somfy Connect is presently configured:

- Type of Somfy Connect (default: RA2/HWQS to RTS)
- Number of each command type (default: 100/ea)
- To change Configuration settings, see section #10

- To start programming the Somfy Connect, the command strings of the Lutron devices must be known. Once the Lutron system is installed and all devices are associated & activated, connect the Somfy Connect to the Main Repeater using the RS232 cable. The URTSI does not need to be connected at this time – although it can be.
- To program a map, click Listen and then press & release the Lutron push button you wish to map to a function. The screen on the following page will appear. Your Input will be slightly different based on the ID of your Lutron device.
- During the Listen Mode, the Frame Heading will flash “Listening” until the Lutron string is sent. If after one minute no input has arrived, the Somfy Connect will exit the Listing mode and return to RUN mode.

**Somfy Connect Version and Configuration**

SDN Versions  
 RA2/HWQS  
 Quantum  
 G.E. QS

RTS Versions  
 RA2/HWQS  
 Quantum  
 G.E. QS

Memory Size  
Single: 100  
Toggle: 100  
Group: 100

COM Port: COM7  
Run Mode: [Run Mode] [Set Config]

Program Mode

**Mapping Data**

Map #: 1 [Listen] [Cancel Listen]

Input: ~DEVICE,12,6,3

URTSI Command: [ ]

[Save Single] [Get Single] [Clear Single] [Clear Screen]  
[Save Sequence] [Get Sequence] [Clear Sequence] [Get Time/Date]  
[Save Group] [Get Group] [Clear Group] [Set Time/Date]  
[Print] [RTS Delay] [Erase All Data]

If Lutron Input is Corrupted, Click Listen and Try Again or Canel Listen to Exit

**Scheduled Events**

Event #	Map #	Hour	Minute	
1	1	12	00	<input checked="" type="checkbox"/> Mon-Fri <input checked="" type="checkbox"/> Sat-Sun

[Save Timed Event] [Save Sunrise Event] [Save Sunset Event] [Save Coordinates]  
[Get Timed Events] [Get Sunrise Events] [Get Sunset Events] [Get Coordinates]  
[Erase Timed Events] [Erase Sunrise Events] [Erase Sunset Events]

5 40 43 74 1 [City]

Time Zone Deg Lat Min Lat Deg Long Min Long City

For RA2, HWQS and Quantum:  
~DEVICE, is common to all Lutron devices.

12 is the Device ID  
6 is the push-button ID  
3 is on press (Change to 4 for on-release commands)

For Grafik Eye QS, the input will be similar to:  
3abb 38 3

3abb is the GEQS unique address  
38 is the push-button ID  
3 is on-press

- The next step is to input the URTSI string. In this example 0101U (URTSI address 01, channel 01, U for up) has been entered.
- To save the Mapping Data, Click Save Single, Save Sequence or Save Group – depending on what command type you want - the following will be displayed:

**Somfy Connect - Version 1.1**

**Somfy Connect Version and Configuration**

SDN Versions:  RA2/HWQS,  Quantum,  G.E. QS

RTS Versions:  RA2/HWQS,  Quantum,  G.E. QS

Memory Size: Single 100, Toggle 100, Group 100

COM Port: COM7, Run Mode, Set Config

**Mapping Data**

Map # 1 Listen

Input ~DEVICE,12,6,3

URTSI Command 0101U

Save Single, Get Single, Clear Single, Clear Screen

Save Sequence, Get Sequence, Clear Sequence, Get Time/Date

Save Group, Get Group, Clear Group, Set Time/Date

Print, RTS Delay, Erase All Data

**Scheduled Events**

Event #	Map #	Hour	Minute	Mon-Fri	Sat-Sun
1	1	12	00	<input checked="" type="checkbox"/>	<input checked="" type="checkbox"/>

Save Timed Event, Save Sunrise Event, Save Sunset Event, Save Coordinates

Get Timed Events, Get Sunrise Events, Get Sunset Events, Get Coordinates

Erase Timed Events, Erase Sunrise Events, Erase Sunset Events

5 40 43 74 1 City

Time Zone Deg Lat Min Lat Deg Long Min Long

**Setting Single Function Data**

Map# 1 > ~DEVICE,12,6,3 > 0101U

Save Single was selected.

- Data is sent to Somfy Connect and displayed
- Type of data is also displayed
- Note the map# is incremented by 1

- For Sequence and Group Commands, only the URTSI address and channel need to be entered. For example: 0101.
- The Somfy Connect will automatically determine what the proper Raise/Lower Lutron Strings are for each Group input.

- Repeat the Listen/Save process for every Pico, Keypad, Table-Top and Grafik Eye QS that is to be used.
- With the data saved, the Somfy Connect will send out saved commands (RS485) based on the Lutron serial strings received. To test, put the Somfy Connect in RUN mode and activate the Lutron push-buttons whose serial strings were captured.

## 8 Programming the Somfy Connect for RA2 to SDN.

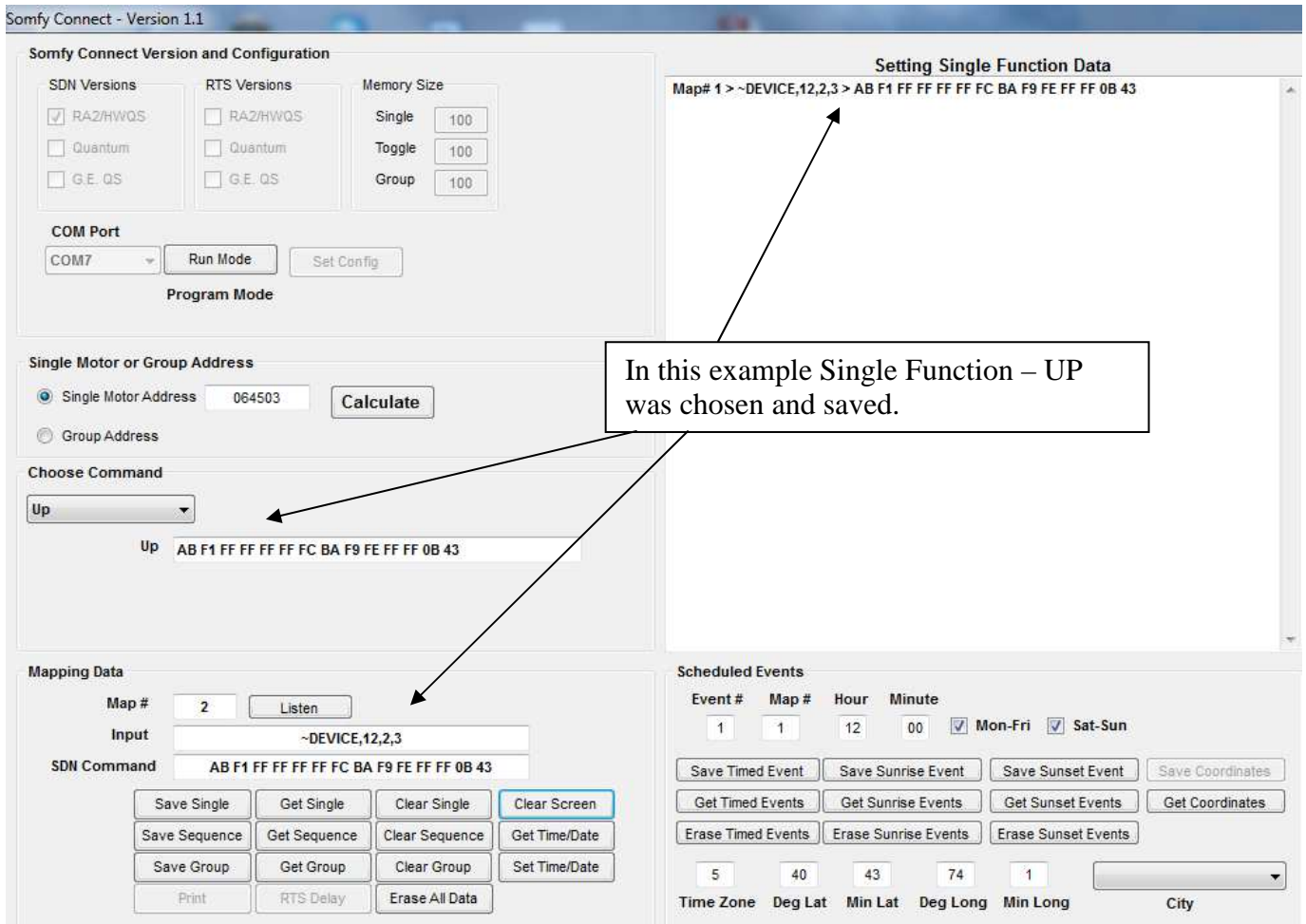
- Opening screen for RA2/HWQS to SDN:

The screenshot shows the 'Somfy Connect - Version 1.1' interface. The main window is titled 'Somfy Connect Version and Configuration'. It contains several sections:

- SDN Versions:** Includes checkboxes for RA2/HWQS (checked), Quantum, and G.E. QS.
- RTS Versions:** Includes checkboxes for RA2/HWQS, Quantum, and G.E. QS.
- Memory Size:** Includes input fields for Single (100), Toggle (100), and Group (100).
- COM Port:** A dropdown menu set to 'COM7', with 'Run Mode' and 'Set Config' buttons.
- Program Mode:** A label at the bottom of the configuration section.
- Single Motor or Group Address:** Radio buttons for 'Single Motor Address' (selected) and 'Group Address'. A text field contains '064503' and a 'Calculate' button.
- Choose Command:** A dropdown menu set to 'Up'. Below it, a text field shows the hex command 'AB F1 FF FF FF FC BA F9 FE FF FF 0B 43'.
- Mapping Data:** Includes a 'Map #' field with '1' and a 'Listen' button. An 'Input' text field is empty. Below it, the 'SDN Command' text field is populated with 'AB F1 FF FF FF FC BA F9 FE FF FF 0B 43'. A grid of buttons includes 'Save Single', 'Get Single', 'Clear Single', 'Clear Screen', 'Save Sequence', 'Get Sequence', 'Clear Sequence', 'Get Time/Date', 'Save Group', 'Get Group', 'Clear Group', 'Set Time/Date', 'Print', 'RTS Delay', and 'Erase All Data'.
- Scheduled Events:** A table with columns for Event #, Map #, Hour, Minute, and days of the week. The first row shows Event # 1, Map # 1, Hour 12, Minute 00, and days Mon-Fri and Sat-Sun. Below the table are buttons for 'Save Timed Event', 'Save Sunrise Event', 'Save Sunset Event', 'Save Coordinates', 'Get Timed Events', 'Get Sunrise Events', 'Get Sunset Events', 'Get Coordinates', 'Erase Timed Events', 'Erase Sunrise Events', and 'Erase Sunset Events'. At the bottom, there are input fields for Time Zone (5), Deg Lat (40), Min Lat (43), Deg Long (74), Min Long (1), and a City dropdown.

Present Configuration

- Select Single Motor Address (from motor label) or Group Address. Then enter the address in the text field and click **Calculate**. In the example above, Single Motor Address 064503 was entered.
- Choose Command: for Single Function, any command can be chosen. For Sequence and Group functions, the UP command must be chosen. Note that the SDN Command text box is auto populated with the SDN command.
- Click Listen and press the Lutron Push-Button that will be associated with this command. During the Listen mode, the Frame heading will change from Mapping Data to Listening and will flash until Lutron data is captured.



- Repeat the above procedure for the remaining control devices.
- To test, put the Somfy Connect in RUN mode and activate the Lutron push-buttons whose serial strings were captured.

## 9 Retrieve or Delete Data

The screenshot shows a web interface titled "Mapping Data". It includes a "Map #" field with the value "1" and a "Listen" button. Below are "Input" and "SDN Command" text boxes. A grid of buttons is displayed, with several circled: "Save Single", "Get Single", "Clear Single", "Clear Screen", "Save Sequence", "Get Sequence", "Clear Sequence", "Get Time/Date", "Save Group", "Get Group", "Clear Group", "Set Time/Date", and "Erase All Data". A "Print" button is also visible at the bottom left of the grid.

Save Commands save the data to the Somfy Connect. Specifically the map#, Lutron Input and Command (SDN or RTS).

Get Commands retrieve and display saved Data.

Clear Commands deletes the chosen data set from the Somfy Connect. **Erase ALL Data** deletes all data except time/date and coordinates.

**Clear Screen** clears the retrieved data text box. No data is deleted from the Somfy Connect.

**Get** and **Set Time/Date** are used to retrieve and set the time of day and day of the year.

- **Print** is used to print the retrieved data displayed - useful for record keeping and future job reference. Printing to a PDF file using PDF Writer will be more practical as an actual printer will most likely not be on site.

- To delete a save map or scheduled event:

**Somfy Connect - Version 1.1**

**Somfy Connect Version and Configuration**

SDN Versions:  RA2/HWQS,  Quantum,  G.E. QS  
 RTS Versions:  RA2/HWQS,  Quantum,  G.E. QS  
 Memory Size: Single 100, Toggle 100, Group 100

COM Port: COM7, Run Mode, Set Config

Program Mode

**Single Motor or Group Address**

Single Motor Address: 064503, Calculate  
 Group Address

Choose Command: Down  
 Down: AB F1 FF FF FF FC BA F9 FD FF FF 0B 42

**Single Function Data**

Map# 1, -DEVICE,12,2,3 > AB F1 FF FF FF FC BA F9 FE FF FF 0B 43  
 Map# 2, -DEVICE,12,2,3 > AB F1 FF FF FF FC BA F9 FC FF FF 0B 41  
 Map# 3, -DEVICE,12,3,3 > AB F1 FF FF FF FC BA F9 FD FF FF 0B 42

**Mapping Data**

Map #: 2, Listen  
 Input: D  
 SDN Command

Buttons: Delete Single, Delete Seq, Delete Group, Get Single, Get Sequence, Get Group, Clear Single, Clear Sequence, Clear Group, Clear Screen, Get Time/Date, Set Time/Date, Print, RTS Delay, Erase All Data

**Scheduled Events**

Event #	Map #	Hour	Minute	Mon-Fri	Sat-Sun
1	1	12	00	<input checked="" type="checkbox"/>	<input checked="" type="checkbox"/>

Buttons: Save Timed Event, Save Sunrise Event, Save Sunset Event, Save Coordinates, Get Timed Events, Get Sunrise Events, Get Sunset Events, Get Coordinates, Erase Timed Events, Erase Sunrise Events, Erase Sunset Events

Time Zone: 5, Deg Lat: 40, Min Lat: 43, Deg Long: 74, Min Long: 1, City

**Callout Box:**

- Retrieve the Data set that you wish to remove a map from using the Get Command Buttons. Shown here is the Single Function Data set.
- Enter the map # to Delete
- Enter D in the Input Text box
- Note that the SAVE command buttons become Delete command buttons.
- Choose the correct Delete Button. In this case Delete Single
- For Events. Get the Event data set, enter the event # to delete and enter D in Map # then choose the correct Delete button.

## 10 Changing the Default Configuration

- If the Configuration of the Somfy Connect needs to change:
  - Start the Configuration program
  - Choose the Somfy Connect Version (Quantum to SDN picked in screen below)
  - Set the Memory Size for each Function (Limited to a combination of 300)
  - Select the **COM port**
  - Click **Set Config**
  - A “Configuration Sent” message will be displayed indicating the configuration has been accepted.

**Somfy Connect - Version 1.1**

**Somfy Connect Version and Configuration**

SDN Versions:  RA2/HWQS,  Quantum,  G.E. QS  
 RTS Versions:  RA2/HWQS,  Quantum,  G.E. QS  
 Memory Size: Single 45, Toggle 55, Group 65

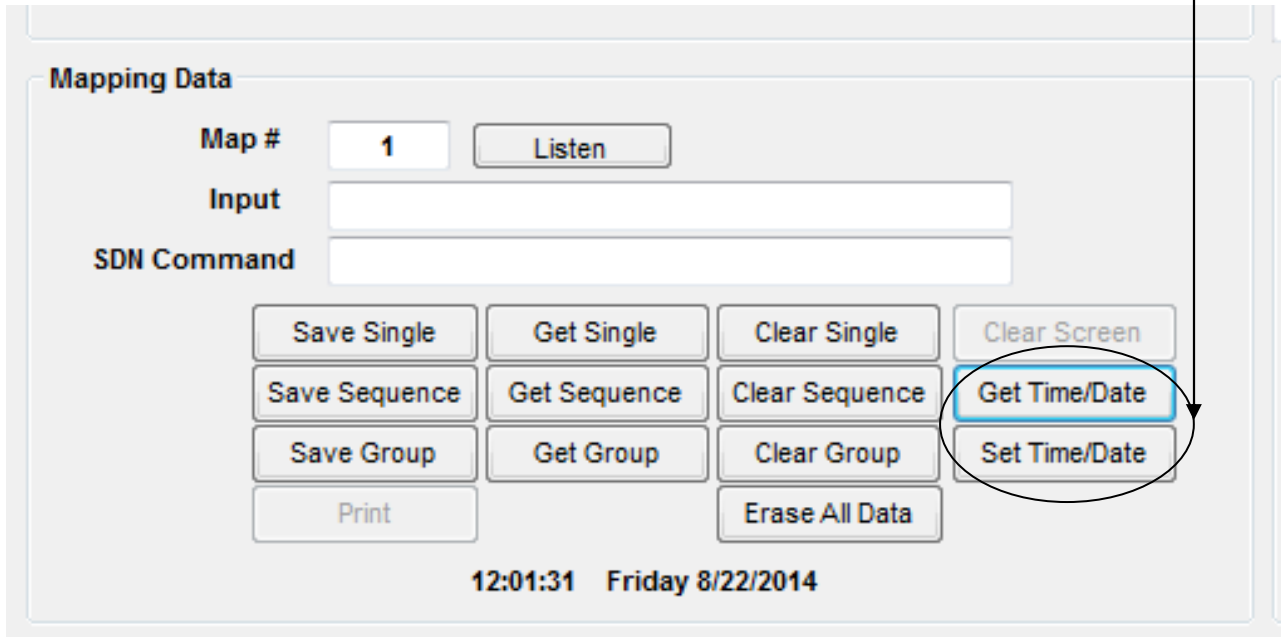
COM Port: COM7, Program Mode, **Set Config**

Port Open, Configuration Sent



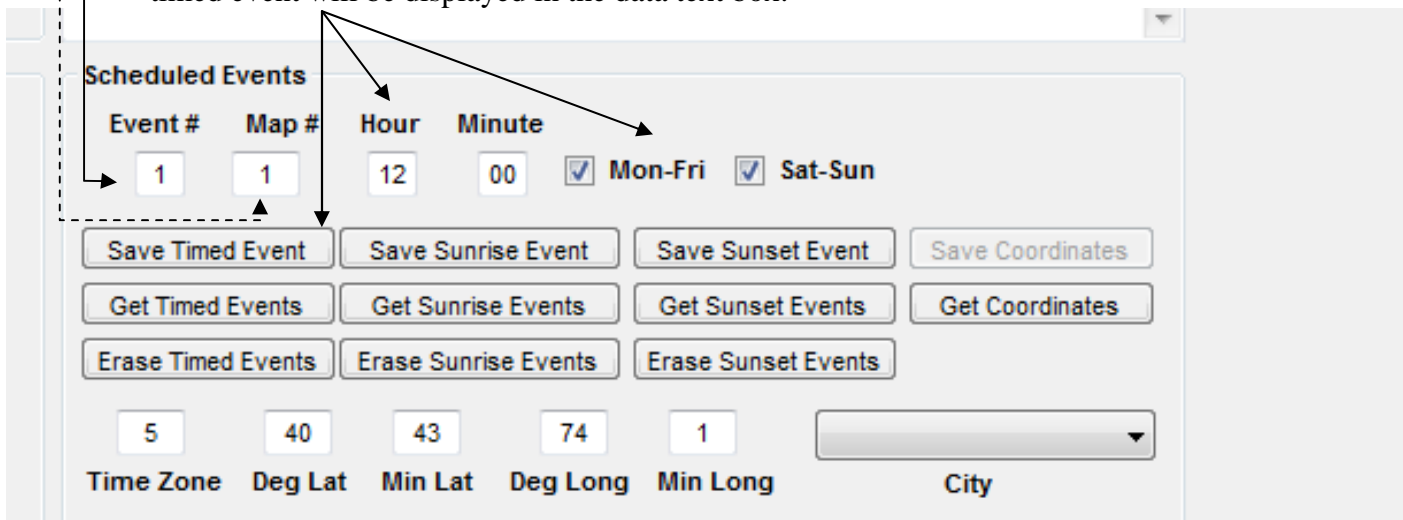
# 11 Creating Timed, Sunrise, and Sunset Events

- Timed Event:** The first step is to set the correct time of day, day of the year and whether or not Daylight Savings Time is in effect. To check the present time/date, click Get Time/Date.

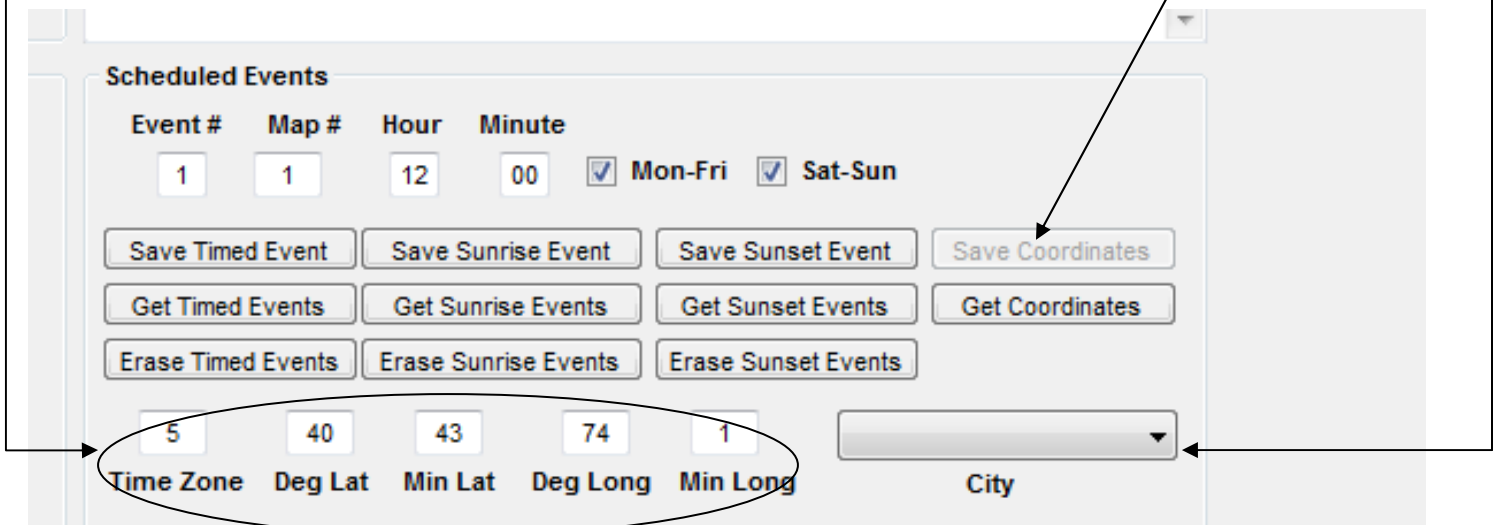


- Only single functions can be used for time events. To schedule an event click **Get Single** to retrieve saved data: **Note: Timed events must be separated by at least 2 minutes.**

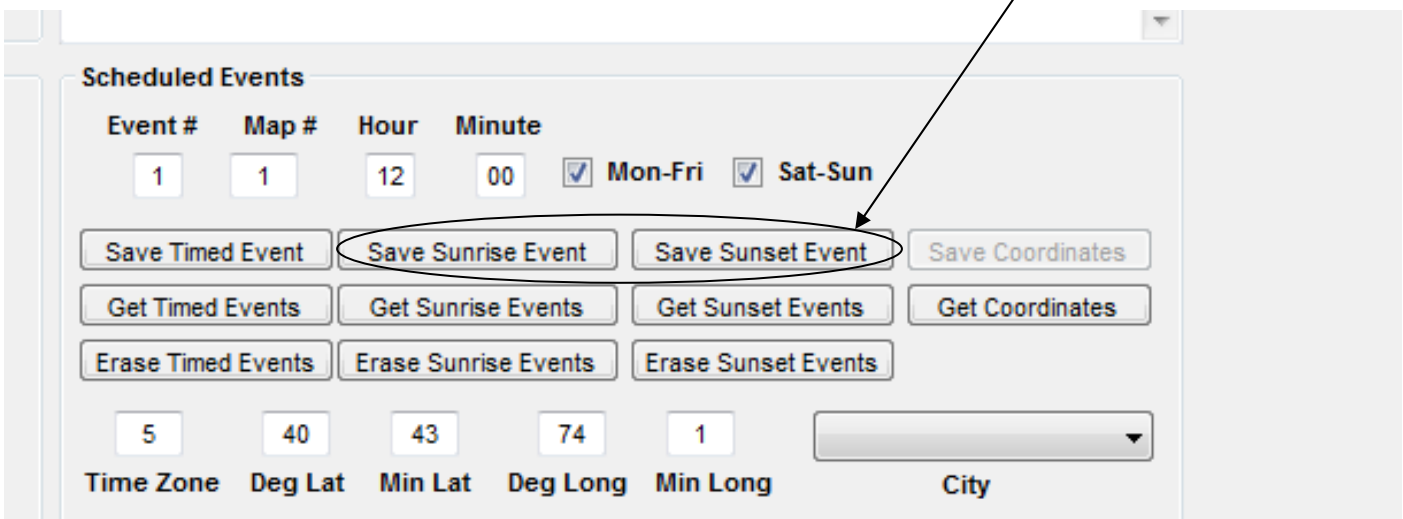
- Choose Event # or use the default # that appears in the Event # field. The first event will start at 1 and the configuration program will increment this number as events are saved.
- Choose Map #. Each event has a single function (previously saved) associated with it.
- Set the time and days that the event (saved map) is to occur and click Save Timed Event. The stored timed event will be displayed in the data text box.

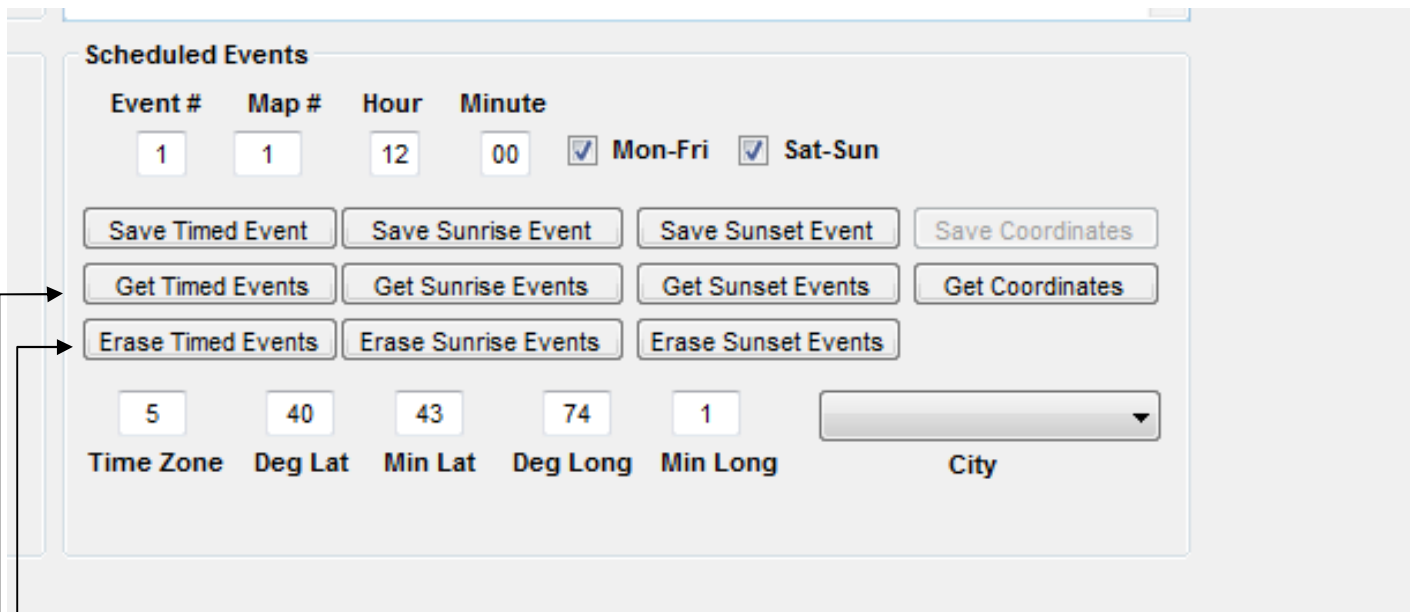


- **Sunrise/Sunset Events:** The first step is to enter the geographic location of the Somfy Connect. The default is New York, NY. Location can be picked from the City drop-down menu or exact coordinates & time zone can be entered. Once a city is selected or coordinates entered, click Save Coordinates.



- Like Timed Events, Sunrise and Sunset events can only use previously saved Single Functions. To save a Sunrise/Sunset Event, click **Get Single** to retrieve saved data.
  1. Choose Event # or use the default # that appears in the Event # field. The first event will start at #1 and the configuration program will increment this number as events are saved.
  2. Choose Map #. Each event has a single function (previously saved) associated with it.
  3. Sunrise & Sunset Events occur every day of the week. Click Save Sunrise Event or Save Sunset Event. The stored data will be displayed in the data text box.

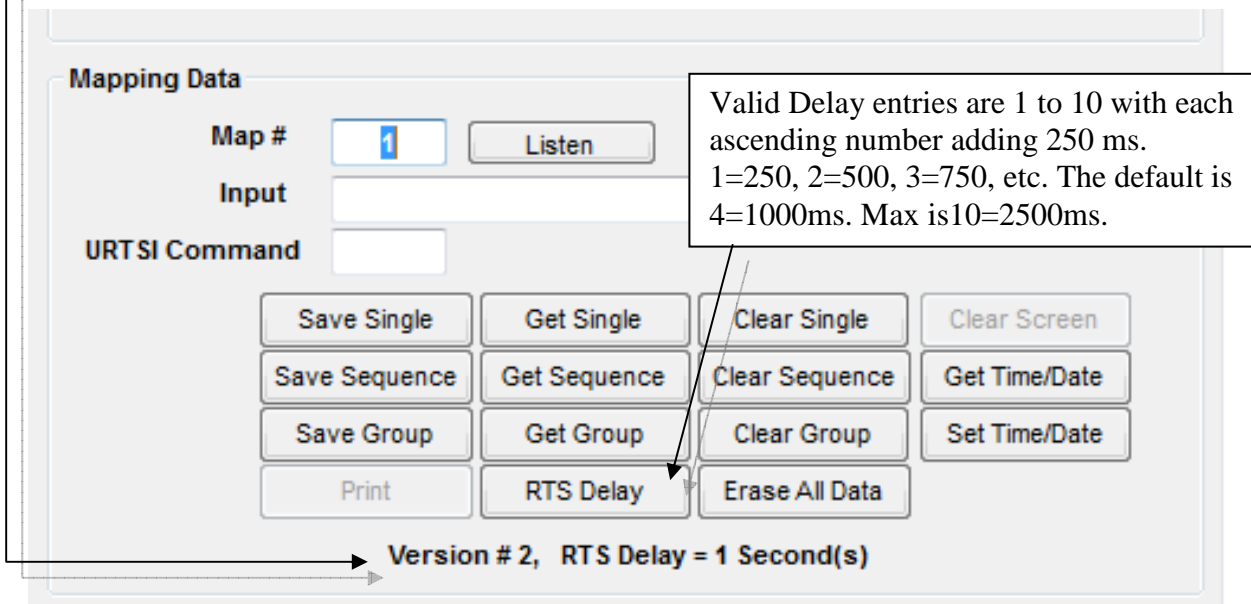




- Get Command Buttons will retrieve and display the saved data.
- Erase Command Buttons will delete the data set from the Somfy Connect.
- **Get Coordinates** will retrieve and display the saved coordinates including Time Zone. The saved city (if there is one), Sunrise, and Sunset times for the present day will be displayed.

## 12 RTS Delay

For RTS systems, the URTSI must not transmit until the Lutron system is done transmitting. Otherwise the systems will interfere with each other. The default RTS Delay is one second. Upon entering the program mode, the present RTS Delay is displayed along with the Version of Firmware. To change the delay, select **RTS Delay**.



## 13 Entering Custom Coordinates

For Sunrise and Sunset Events, choosing a city or Canadian Province from the City drop down menu will give satisfactory operation with respect to sunrise and sunset commands. However, it is possible to enter exact coordinates as follows:

- Entering Time Zone
  - The Time Zone is based on the Greenwich meridian Time.
  - Valid Time Zone entries are 0 to 23 and 0 to -12
- Enter Latitude (North/South) and Longitude (East/West) in Degrees & Minutes
  - Valid Latitude -90 to 0 to 90
  - Valid Longitude -180 to 0 to 180
  - Seconds are not used
- There are numerous WEB sites where your coordinates can be found.
- The Somfy Connect must be in Run Mode for at least 30 seconds before the correct Sunrise/Sunset times are calculated.

## 14 Notes:

1. **Group Commands and Light loads on the same Lutron Keypad or Table-Top control.** It is common to have both light load control and shade control on the same Lutron keypad or Table-Top control. One issue this causes is that the last light load adjusted remains the active light load and will be the next light load adjusted if just the raise or lower functions are activated. So, if you adjust a shade in Group Mode, the active light load will also be adjusted since the Lutron system “knows” there are no light loads on the shade button depressed. In other words, when the user wants to move just the shade, the lights are also adjusted. There are 2 solutions:
  - a. Use sequence control instead of Group Control. Since sequence control does not use Raise/Lower, light loads are not affected
  - b. Create virtual light loads for the shade push-buttons. This is done in the Lutron configuration software. This solution allows for the use of Group Control and still not affect any “real” light loads.
2. **RA2 iPhone/iPad App.** The Lutron apps can be used. There are 2 ways to use the app:
  - a. In a system that has physical Keypads, Table-Tops and PICO’s, the app will discover and display the same devices in the app. Shades are activated as if you were using the physical control point.
  - b. If just the app is to be used (e.g. No Physical Devices), then Virtual control devices and loads will need to be created in the Lutron configuration program so they appear in the app. During Listen mode, you press the APP virtual push-button as you would with a physical push-button.
3. The Ethernet port of the NWK cannot be used; doing so disables the NWK serial port.
4. Each Lutron serial string can only be saved in a single map location. Saving the same string in 2 locations (i.e. one in SINGLE and one in SEQUENCE) will cause one of the saved entries to be ignored.
5. If two or more push-buttons in Sequence mode control the same motor or groups of motors, the sequence will get lost as the Somfy Connect does not keep track of multiple push-buttons controlling the same motor(s). In this case the user may have to activate the push-button up to 3-times before the motors move.