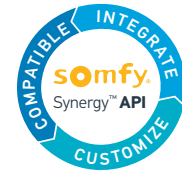


Somfy Connect™ Universal Automation Interface (UAI) Plus

Item #: 1870272



OVERVIEW:

The **Somfy Connect™ Universal Automation Interface (UAI) Plus** allows for commissioning and integrating Somfy Digital Network™ (SDN) over IP/Ethernet. Embedded motor commissioning software streamlines SDN system configuration. The Somfy Connect™ UAI Plus is compatible with the Somfy Synergy™ API as well as drivers from popular home automation systems, making it easy to integrate custom automation programming.



SDN OVERVIEW:

Somfy Digital Network™ (SDN) is Somfy's intelligent wired shading network. An SDN system is comprised of bus distribution, as well as user interfaces, motorized applications and sensors. SDN is scalable, suitable for both small and large jobsites, and uses the same components whether an SDN system remains standalone or integrated into third-party automation systems.

FEATURES SUMMARY:

- Embedded commissioning software
- Simplified SDN programming
- Powered by the SDN bus line
- Single integration point for third-party automation systems over IP or RS232
- Compatible with SDN 2.0
- Works with Somfy Synergy™ API
- Controls up to 250 motors
- Powered from the SDN bus line
- SDDP Integration
- Lutron compatibility

TECHNICAL SPECIFICATIONS:

- Input: 12-24V DC
- Power Consumption: 60mA
- SDN Power Units: Consumes 6 Power Units
- Material: ABS
- Operating Temperature Range: Ambient temperature
- Dimensions: 3.53" L x 2.375" W x 2.125" H
- Maximum Wiring Distance (Ethernet): 328' from the router using standard Cat5e cable
- Maximum Wiring Distance (SDN): 4,000' total wire length
- Shipping Weight: 1 lb.
- Indoor use only

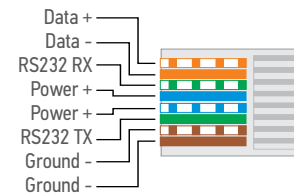
CABLE PINOUTS:

Port 0

Not used

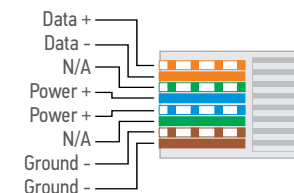
Port 1

RS232 input or RS485 input



Port 2

SDN input



WHAT'S IN THE BOX:

- Somfy Connect™ UAI Plus
- 8" Din Rail
- 7' Ethernet Cable
- Quick Start Guide

OPTIONAL ACCESSORIES:

- DB9 to RJ45 adaptor for RS485 (9015029)

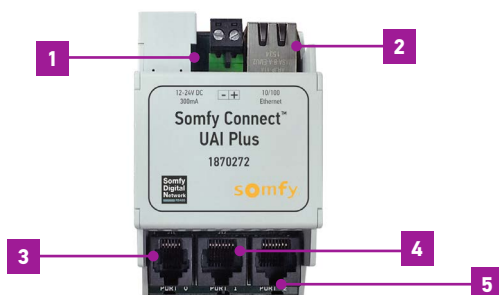
COMPLIANCE SPECIFICATIONS:

- UL Listed
- CE Approved

SUPPORTED PROTOCOLS:

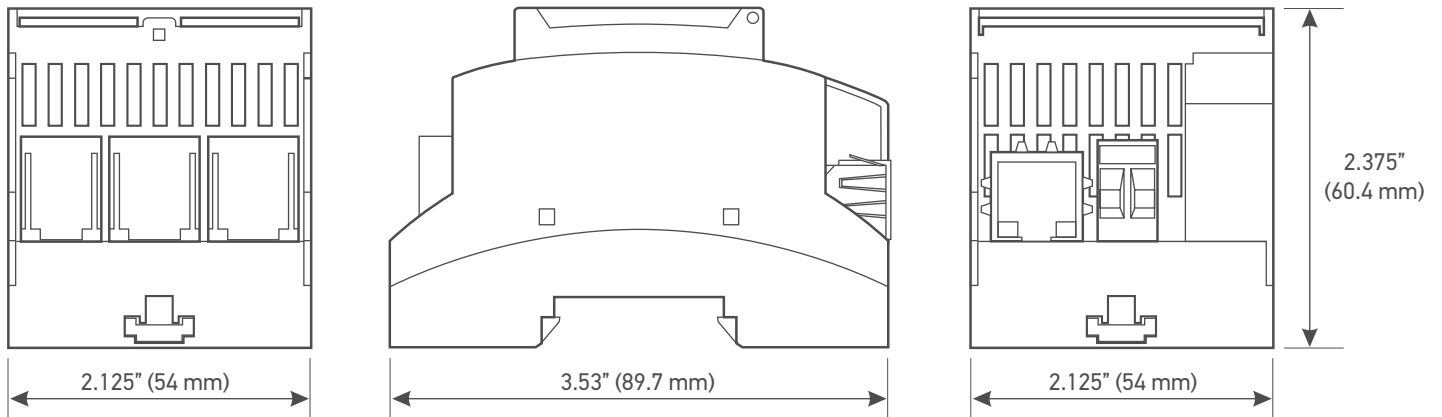
- TCP, UDP, TELNET Client, WEB Server, HTTP, UPNP, SDDP, Somfy Digital Network™ (SDN) & The Somfy Synergy™ API

CONNECTIONS AND INDICATORS:



ELEMENT	FUNCTION
1	External Power input 12-24V DC power supply
2	Ethernet Port Ethernet input
3	Port 0 N/A
4	Port 1 RS-232 Input/SDN Bus Power input
5	Port 2 SDN connection

DIMENSIONS:



BEST WIRING PRACTICES

The diagram shown below is meant for illustrative purposes to show the connections from product to product. This device could be used in other configurations than shown below. For specification information on individual products see related product information. Follow all SDN wiring standards for distance limitations.

When connecting over RS232, a DB9 to RJ45 (9015029) adaptor is required (see optional accessories). The Somfy Connect™ UAI Plus joins an SDN network using RS485 to any device port on the SDN bus. This connection provides power and data to the UAI.

