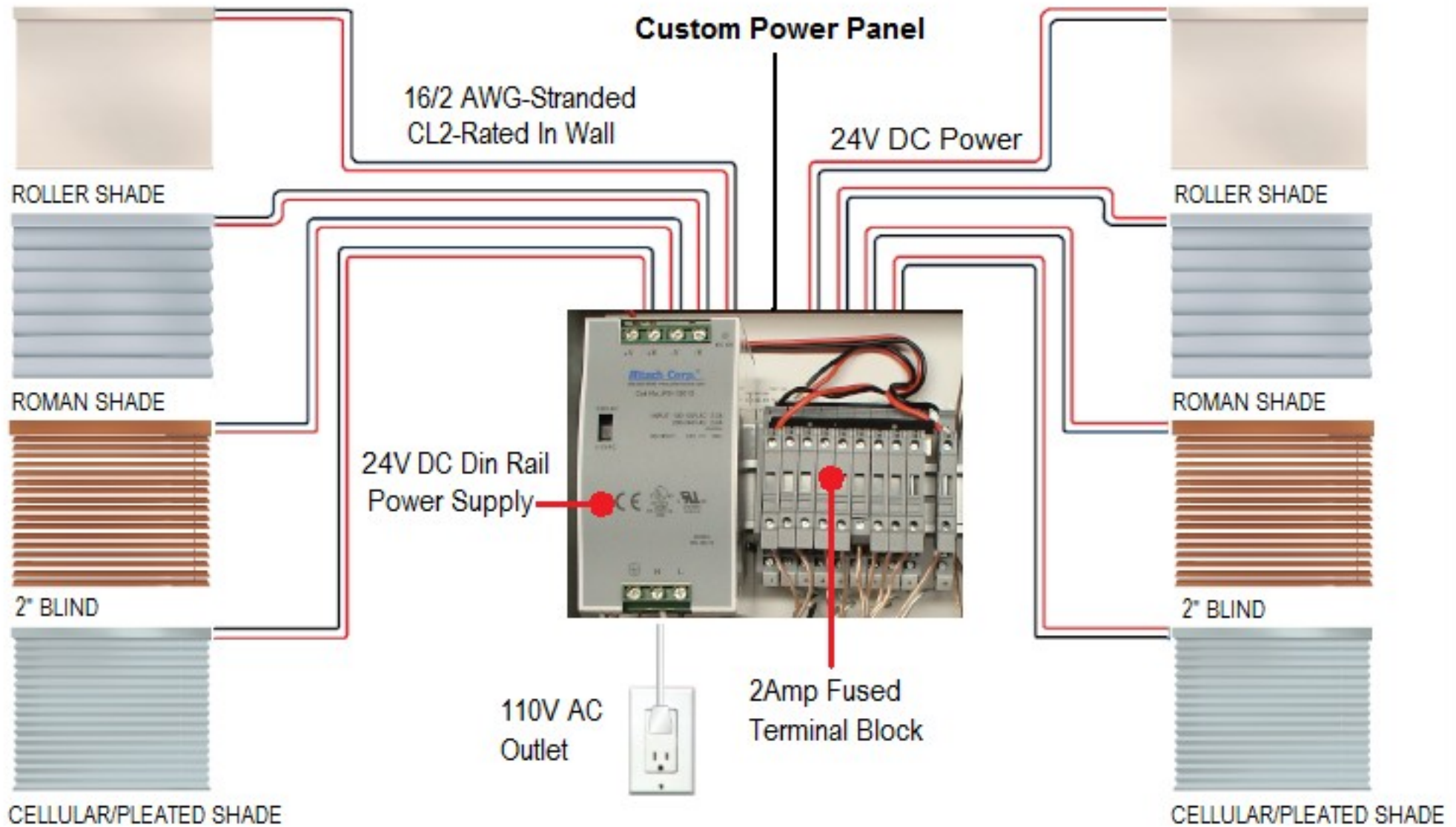


# APPLICATION WIRING DIAGRAM EXAMPLE

## MULTIPLE 24V DC SONESSE RTS MOTORS



Home run wire to a central location such as a Utility Room or Closet. Use 16/2 AWG CL2 rated wire Max Run ~ 150 Ft. Use 14/2 AWG CL2 rated wire for runs exceeding 150 Ft. Stranded wire is easier to work with and less likely to break than solid core.

Locate 12V or 24V DC Power Supply and Fused Terminal Block in a NEMA Rated Type 1 or Type 4 Enclosure.  
NOTE: ALWAYS consult your local electrical code for Class 2 wiring compliance and inspections.