

DecoFlex Digital Keypad SDN Group Control



Item #: 1811749 (6 button), 1811750 (8 button)

OVERVIEW:

The **DecoFlex Digital Keypad SDN Group Control** provides a plug-in, in-wall user interface for stand-alone SDN shading systems. Keypads provide users a familiar way to adjust their environment for personal comfort. Each keypad communicates directly with intelligent motors in the system without the need for a centralized system controller, distributing intelligence across the network, ensuring reliable operation.

Every DecoFlex Digital Keypad uses a priority based command structure which allows multiple keypads to have different levels of authority. For example, a system can be programmed to prioritize life-safety and facility manager control over local user control. DecoFlex Digital Keypad configuration is managed through Somfy's keypad configuration software.



Available in both 6 button and 8 button configurations, the DecoFlex Digital Keypad comes with default engraved buttons (shown above). Custom engraved buttons are available. Each keypad also includes 8 dry contact inputs on the reverse, regardless of the number of buttons on the front. All contacts, even those not associated to a specific front button, are programmed to output SDN commands to control groups of intelligent motors on the SDN network.

SOMFY DIGITAL NETWORK SYSTEM OVERVIEW:

Somfy Digital Network (SDN) is Somfy's intelligent wired shading network. An SDN system is comprised of bus distribution devices that create a network for user interfaces, motorized applications and sensors to be connected. SDN is scalable and suitable for both small and large projects. The same components are used whether an SDN system remains stand-alone or integrated into third party automation systems.

TECHNICAL SPECIFICATIONS:

- Input: SDN Bus Power (24V DC)
- Power consumption: 1 SDN Power Unit, 10 mA
- Materials
 - Face plates and buttons: Lexan 945U
 - Back housing: Fire retardent grade of ABS-FR 15 Na100
- Mounting: Single or multiple gang
- Dimensions: 1 7/16" x 1 1/2" x 4 1/16" (without wall plate)
- Face plate dimensions: Standard Decora
- Operating temperature range: Ambient temperature
- Indoor use only
- Shipping weight: Actual weight: 0.25 - 0.3 lbs.

FEATURES SUMMARY:

- Directly control intelligent motors either by group, facade or an entire building.
- Each button can be programmed with different commands for Press, Release, Hold and Sequential
- Set intermediate position via button press
- Can control up to 5 groups with 8-button keypad (3 groups with 6-button keypad)
- Keypad configurations can be exported and backed up
- 8 dry contact inputs for third party integration
- Custom engraved buttons available
- Standard Decora size
- Includes wall plate and dry contact terminal blocks

CONNECTIONS AND INDICATORS:

- LED: Red - Rear (power) (flashes when powered)
- Front buttons 1-5: Command Status:
 - Solid when group control is selected
 - Flashes when direction button is pressed

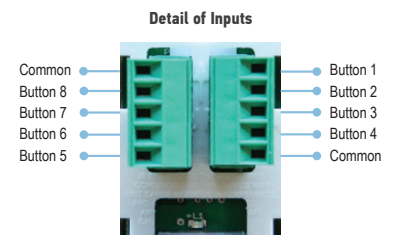
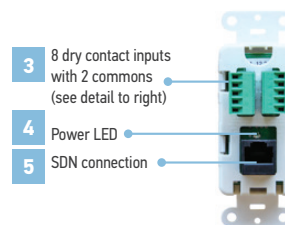
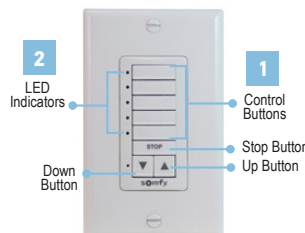
WHAT'S IN THE BOX:

- Keypad
- Wall plate with screws
- 1" screws

AVAILABLE COLOR:

- White: 6 Button #1811749
- White: 8 Button #1811750

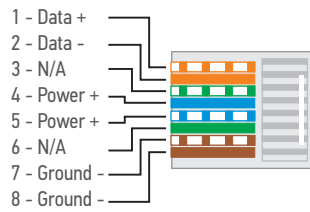
ELEMENT	FUNCTION
1 Buttons	Press for motor control. Can be programmed with functions for Press, Release, Hold and Sequential
2 Front LEDs	Group selection Amber - Solid in SDN mode and flashes in group mode
3 Dry Contact Inputs	Triggers programmed button function
4 Power LED	Blinking Red - SDN power
5 SDN Connection	Power and data connection to SDN bus



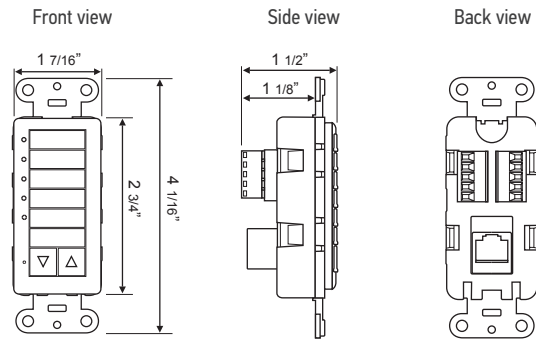
CABLE PINOUTS:

SDN Cable Pinout: (RJ45 connector)

ANSI/TIA/EIA 568-B Standard



DIMENSIONS:



NOTE: allow for strain relief in junction box

BEST WIRING PRACTICES

The diagrams shown below are meant for illustrative purposes to show the connections from product to product. This device could be used in other configurations than shown below. For specification information on individual products, see related product information. Follow all SDN wiring standards for distance limitations.

- The Keypad connects to any SDN Device Port.
- Keypads are configured using the latest version of the Somfy keypad configuration software.

To use the dry contact inputs, each connection requires 2 conductors (supporting up to 14 AWG) from the third party system. One attaches to the corresponding button input and the other attaches to the common pin on the corresponding termination block. All 8 inputs are available regardless of 6 or 8 front-button configuration.

